



Triacs sensitive gate

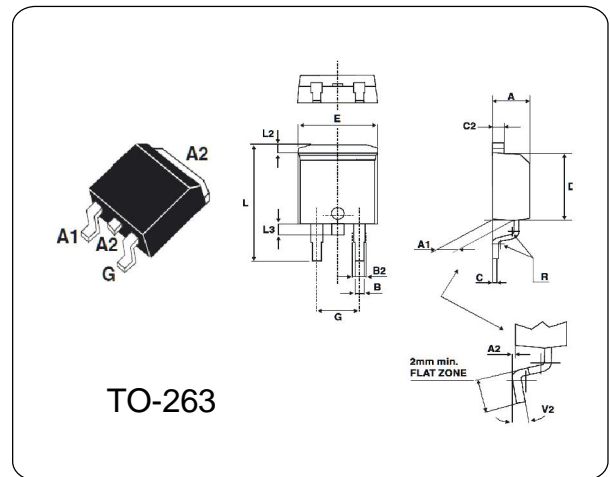
T2535-600G

GENERAL DESCRIPTION

Passivated, sensitive gate triacs in a plastic envelope, intended for use in general purpose bidirectional switching and phase control applications, where high sensitivity is required in all four quadrants.

ABSOLUTE MAXIMUM RATINGS (Ta = 25 °C)

Parameter	Symbol	Typ	Unit
Repetitive peak off-state voltages	V_{DRM} V_{RRM}	600	V
RMS on-state current	$I_{T(RMS)}$	25	A
Non-repetitive peak on-state current	I_{TSM}	262	A
Max. Operating Junction Temperature	T_j	110	°C
Storage Temperature	T_{stg}	-45~150	°C



ELECTRICAL CHARACTERISTICS (Ta = 25 °C)

Parameter	Symbol	Test Conditions	Min	Typ	Max	Unit
Repetitive peak off-state voltages	V_{DRM} V_{RRM}		—	600	—	V
RMS on-state current	$I_{T(RMS)}$	full sine wave; $T_{mb} \leq 107\text{ °C}$	—	25	—	A
On-state voltage	V_T	$I_T=35A$	—	1.4	1.65	V
Holding current	I_H	$V_D = 12\text{ V}; I_{GT} = 0.1\text{ A}$	—	—	50	mA
Gate trigger current	T2+G+	I_{GT} $V_D = 12\text{ V}; I_T = 0.1\text{ A}$	—	—	35	mA
	T2+G-		—	—	35	
	T2-G-		—	—	35	
	T2-G+		—	—	60	
Latching current	T2+G+	I_L $V_D = 12\text{ V}; I_{GT} = 0.1\text{ A}$	—	—	40	mA
	T2+G-		—	—	60	
	T2-G-		—	—	40	
	T2-G+		—	—	60	
Gate trigger voltage	V_{GT}	$V_D = 12\text{ V}; I_T = 0.1\text{ A}$	—	0.7	1.3	V