



Sensitive Gate Triacs

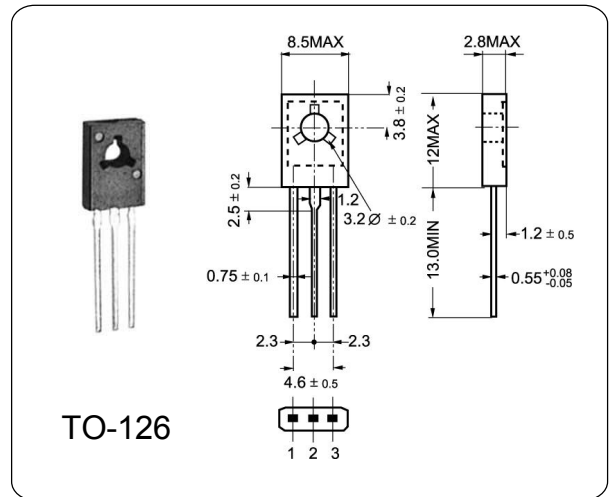
STR4A60S

GENERAL DESCRIPTION

This device is sensitive gate triac suitable for direct coupling to TTL, HTL, CMOS and application such as various logic functions, low power AC switching applications, such as fan speed, small light controllers and home appliance equipment.

ABSOLUTE MAXIMUM RATINGS (Ta = 25°C)

Parameter	Symbol	Typ	Unit
Repetitive peak off-state voltages	V_{DRM} V_{RRM}	600	V
RMS on-state current	$I_{T(RMS)}$	4.0	A
Non-repetitive peak on-state current	I_{TSM}	30	A
Max. Operating Junction Temperature	T_j	110	°C
Storage Temperature	T_{stg}	-45~150	°C



ELECTRICAL CHARACTERISTICS (Ta = 25°C)

Parameter		Symbol	Test Conditions	Min	Typ	Max	Unit
Repetitive peak off-state voltages		V_{DRM} V_{RRM}		—	600	—	V
RMS on-state current		$I_{T(RMS)}$	full sine wave; $T_{mb} \leq 107^\circ\text{C}$	—	4	—	A
Peak On-State Voltage		V_{TM}	$I_T=6.0\text{A}$	—	—	1.6	V
Holding current		I_H	$V_D = 12\text{V}; I_{GT} = 0.1\text{A}$	—	—	10	mA
Gate Trigger Current	T2+G+	I_{GT}	$V_D = 6.0\text{V}, R_L=10\Omega$	—	—	5	mA
	T2+G-			—	—	5	
	T2-G-			—	—	5	
	T2-G+			—	8.0	12	
Gate Trigger Voltage	T2+G+	V_{GT}	$V_D = 6.0\text{V}, R_L=10\Omega$	—	—	1.4	V
	T2+G-			—	—	1.4	
	T2-G-			—	—	1.4	
	T2-G+			—	1.6	2.0	